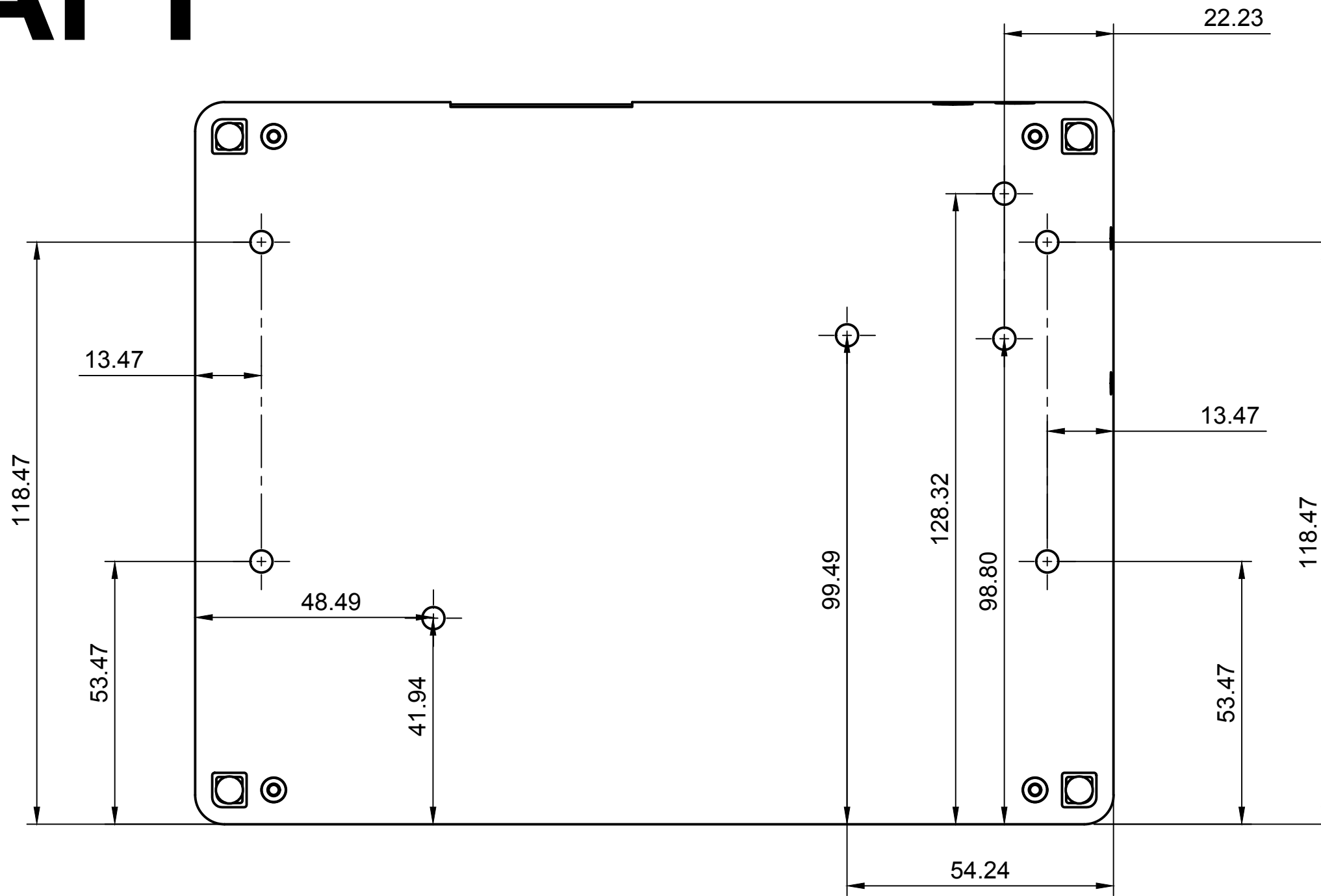


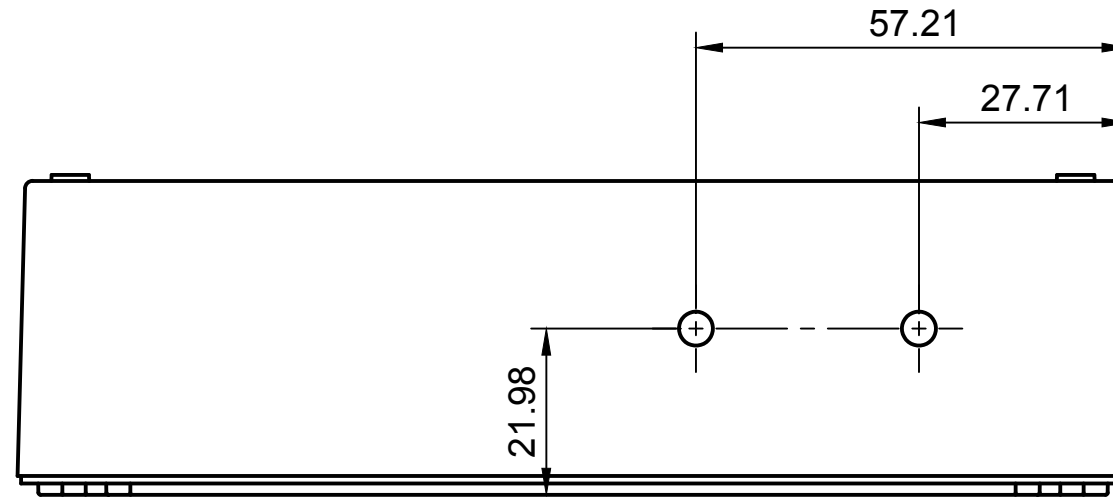
DRAFT



All holes are 4.5mm or 11/64".
 Drill eight (8) holes to hold components. The four holes for the belt loop might be easier to drill from the inside.

Dept.	Technical reference	Created by Open Mask	4/16/20	Approved by
		Document type		Document status
		Title METRIC PAPER Back		DWG No.
		Rev.	Date of issue	Sheet 1/3

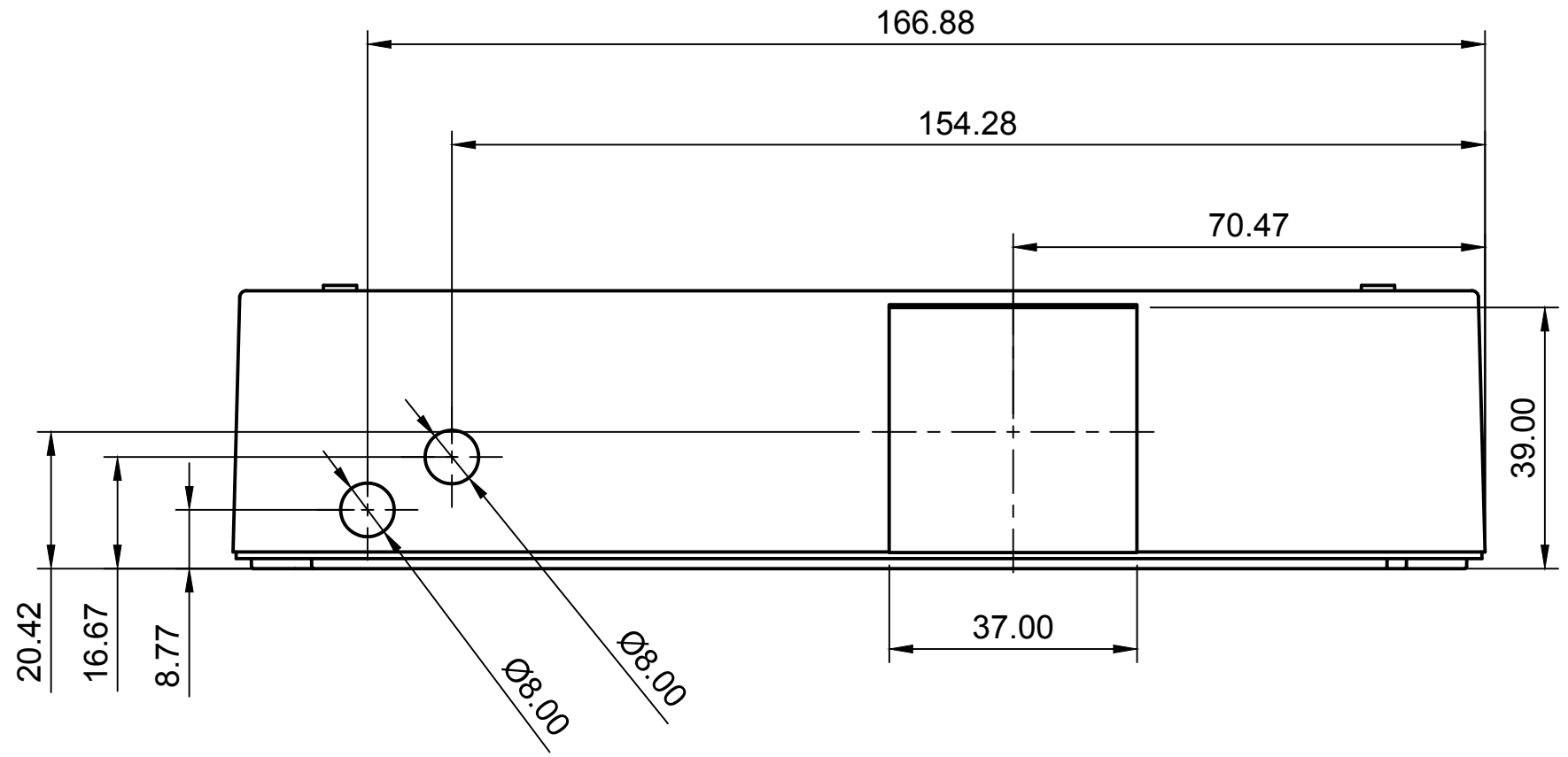
DRAFT



All holes are 4.5mm or 11/64".
 Drill two (2) holes to hold components.

Dept.	Technical reference	Created by Open Mask	4/16/20	Approved by
		Document type	Document status	
		Title METRIC PAPER Right	DWG No.	
		Rev.	Date of issue	Sheet 2/3

DRAFT



Dept.	Technical reference	Created by Open Mask	4/16/20	Approved by
		Document type	Document status	
		Title METRIC PAPER Top	DWG No.	
		Rev.	Date of issue	Sheet 3/3